



COLDTUB™



WINNING IS COOL

www.coldtub.com

Home of the World Famous POLARPOOL®

About COLDTUB™ - The Company



COLDTUB™ designs and manufactures cold water therapy products (aka cryotherapy, cold water immersion, balneotherapy, hydrotherapy). Our flagship product, the POLARPOOL® COLDTUB™ was inspired by Don DeNegro, head Athletic Trainer for the Boston Bruins hockey team, as he searched for a better alternative to common steel whirlpools for his athletes. Don, like many other trainers, was concerned about the safety, sanitization, size, chemical maintenance, and set up time required by traditional cold water tanks.

Our paths crossed and visions joined to create the solution. The POLARPOOL® COLDTUB™ was created and has now exploded onto the professional and collegiate athletic training scene. Since the Boston Bruins hockey team purchased the first POLARPOOL® COLDTUB™, many other organizations have followed suit; the San Jose Sharks, the University of Florida Gators, Yale hockey, Penn State hockey, Bowdoin College, the University of Massachusetts, Utah State University, the Winnipeg Jets, the University of Portland, Springfield College, Gustavus Adolphus College, the Rochester Institute of Technology, University of Worcester, Ajax FC and more every day.

As a response to many requests for larger, smaller and more portable units we have added the Icecube Kart, Icepod, Icepod PLUS, Icebox, Polarplunge™ and the Iceberg to our line-up. COLDTUB™ has a unit for almost every application.

The incredible benefits can be realized by anybody who seeks a high level of physical performance, faster recovery, and rapid rehabilitation. So far, professional sport teams, college sport departments, physical therapists, sports medicine facilities, hospital-based rehab clinics, military, individuals, and training facilities are utilizing COLDTUB™ cold water products.

The extremely compact size and portability make it suitable for even recreational athletes who simply want to recover rapidly from their sport so they can get back out there doing what they love, faster, healthier, and with less pain.

From our humble beginnings, COLDTUB™ has grown into the world's largest supplier of cold water therapy units. Distributed in 36 countries with offices in Massachusetts and Midlands, England, our size, and made in America ingenuity, allows us to achieve economies of scale which make COLDTUB™ an affordable option for any application.

Therapy

Ice baths and cold water therapy are proving to be a necessary part of serious athletic training and rehab programs. Here at COLDTUB™ we design and manufacture cryotherapy equipment for professional sport teams, universities, serious athletes and the US military.

Like any type of therapy, detail is key. Precise temperature control is essential when prescribing specific therapy. COLDTUB™ products can be cooled to 42° (5.5 C) degrees with a touch of a button. They can be set and maintained within +/- 2 degrees. Compare that to our tests of traditional icebath therapy where the temperature typically ranges from 58° degrees to as low 32.5° degrees (frost-bite risk)

Water Temperature Adjustability is Essential

Being able to accurately regulate water temperature is essential to the effectiveness of cryotherapy. Most people struggle to understand the difference between 42° (5.5 C) degrees and 56° (13.3 C) degrees and its impact on the human body. To most, it all seems like really cold water.

All of the COLDTUB™ models have a temperature range of 42° to 104°.

OUR COLDTUB™ PRODUCTS ALLOW YOU TO ADJUST YOUR THERAPY TEMPERATURE DOWN TO THE MOST EFFECTIVE TEMPERATURE - because we know that 56° (13.3 C) degrees is not the same as 45° (7.2 C).

To illustrate, lets look at the other end of the heat scale, one that people are more familiar with. Most people find the hot water of a hot tub comfortable around 102° (38.8 C) degrees - UL legislates that no hot tub can go hotter than 104° (40 C) degrees. At 106° (41.1 C) degrees most people will feel nauseous after a few minutes. After about 10 minutes at 110° (43.3 C) degrees, most people will need medical attention.

Cryotherapy is widely used outside of sports performance. It is used for treatment of chronic inflammation, joint and spine surgery rehab, sleep disorder treatment, and auto immune improvement.

Benefits include:

- Decreased fatigue
- Quicker muscle recovery
- Increased blood flow to the muscles
- Improved performance
- Quicker injury recovery time
- Weight loss
- Decreased anxiety
- Psychological competitive edge
- Tighter and healthier skin

OPTIONAL THERAPY APPLICATIONS:

- Water therapy jets are a standard offering on all COLDTUB™ models – important for hydromassage and reducing the temperature gradient caused by the body heating water near the skin
(except the Icekube Kart)
- Resistance training system
(some models)
- Counter-current therapy system
(some models)
- Warm water versions available on most models

Advanced Technology

Our patented cooling system is the lowest maintenance cooling system available. With significantly fewer moving parts than other cooling systems, our system requires significantly less maintenance and care.

COLDTUB™ products are packed with features not available on other cold water products. We are doing what they haven't even started thinking about. Our cutting edge electronic platform opens a world of opportunities. Consider these optional features:

Remote control

Our Free COLDTUB™ App allows you to control the functions of your COLDTUB™ product from your mobile device. Set the temperature, increase or decrease filtration cycles.

Upgradability

Internet connectivity allows COLDTUB™ products to be upgraded when new technology is released. Our goal is to protect your investment by keeping it from obsolescence as long as possible. The functionality of your COLDTUB™ can grow seamlessly.

Safety Certified

Our products are all third party safety certified – The only ones in the industry



Internet Control Portal

Mycoldtub.com is a website that is exclusive to Coldtub and Eco Pack. This website, if installed, allows you to connect your tub to the Internet, permitting you to control functions through the web, which is easier than using the top side control. Using this website, you can control the temperature, turn pumps on and off and adjust the sanitizer levels and filtration times.

Settings: Using mycoldtub.com, you can control various items through the setting tab; filtration, Sanitize times, and firmware upgrade.

Filtration: The filtration setting allows you to monitor the number of hours a the day your spa will run on the filtration cycle, which is completely adjustable to your personal use. It can also display the current filtration status of your hot tub.

Salt water sanitizing system: You can control the number of hours per day that the Salt system will operate in your tub.

Firmware upgrade: The firmware upgrade feature allows you to upgrade firmware when there are new upgrades.

Documentation: Documents that are specific to your tub and the options that you have installed are here in one place. The Owner's Manual is included. You can also refer to the Quick Reference Card for questions about your tub.

Error Codes: This feature allows you to research error codes that your tub may be displaying, allowing you to troubleshoot before calling for service.

Profile: Your profile is your user information for the website. Additionally, under profile, you need to register your Coldtub to mycoldtub.com, allowing you to control your spa remotely from the Internet.

Diagnostics: Under Diagnostics is a new product called Coldtubpal, an automated water chemistry feature. It manages your spa for you, making water chemistry easy, and it can be maintained remotely. These display allowing you to see PH and ORP and your sanitation balance to quickly assist in troubleshooting.

**Internet accessibility on location may require IT assistance on customer end. Servers/routers with ping blocks installed will need to be removed for the Coldtub port.*

Coldtub Pal

Coldtub-Pal is an advanced salt water maintenance system designed to data log spa water pH and ORP readings. It maintains ORP within a specified range by automatically producing sanitizer (Chlorine) agents. It displays current ORP and pH levels of your tub water, conditions and softens water, making skin feel softer and smooth. It also dramatically reduces time needed to maintain water and reduces contact with harsh chemicals.

Energy Efficiency

Green Fee used for Athletic COLDTUB™

By Tricia Tuntland

State University student senate voted 17 to 1 October 26 2011 to use \$5000 of the student Green Fee towards two new COLDTUB™s for the athletic department.

The Green Fee was initiated Fall of 2008 in an effort to empower students to make BSUs campus environmentally friendly. The green fee is a \$5 fee paid by all students at the beginning of every semester.

According to the Huffington Post students are more “willing to self-impose a green fee, to help the environment and purchase renewable energy.” There are currently 14 schools with a mandatory green fee. Bemidji State University is the only Minnesota school with the mandatory fee as of 2009.

“BSUs sustainability office is always looking for ways to

reduce energy and save water. “This project is amazing”, said

Baily-Johnson. “The water saving is huge!”

The current stainless steel COLDTUB™s are using 200 gallons of water daily. With the new energy and water efficient tubs, only 120 gallons of water would be used every four months.

Over the span of four months it would be using only 480 gallons of water, compared to the approximated 24,400 gallons of water the COLDTUB™s currently use in a four month time period.

Athletic Department will be purchasing two new COLDTUB™s with help from the green fee.



Easy to Install

Every COLDTUB™ is designed to keep the cost of your entire project as low as possible. Historically, the installation of cold water products could easily cost as much or more than the product itself. At COLDTUB™ our goal is to overcome that. All of our units are available in a configuration ready to plug into the wall and fill. The “Wall-Plug” installation is as simple as move the unit into place, fill it with a garden hose, and plug it in. It is that easy.

Indoor applications – No problem

Icekub Kart, Icepod, Icepod PLUS, POLARPOOL®, Icebox and even the Polarplunge™ models fit through most standard doorways.

So easy to install
you will likely move them from
location to location.



ASK US ABOUT
OUR FLOOR MOUNT
VERSIONS.

Indoor or Outdoor

Custom design

Every COLDTUB™ is Unique.

Use your team logo or a collage of pictures.



Icekube Kart

The Icekube Kart is designed to convert those old stainless steel tanks into cold water therapy rather than storage bins. Like all of our cold water products the Icekube Kart provides a safe and easy therapy solution.

The Icekube Kart is a self contained pump, filter and chilling unit that can be hooked up to any cold water tank and can maintain water as low as 42 F (5.5 C) without the necessity of filling, draining and cleaning on a daily basis

The Icekube Kart is capable of saving tens of thousands of gallons of water as well as hundreds of man hours each year by keeping your existing tank clean and cold.

It's your cold water immersion health and safety device on the field.

Performance is dependent on your custom application. Some limiting factors would include length of water lines and volume of water. Insulated water lines, tub and cover will increase performance.



The Icekube Kart has some interesting features such as its own WIFI connection, the ability to control with a smart phone and lockable controls.

SPECIFICATIONS

- Electrical requirement is 110Volt dedicated 15amp circuit for each unit.
- The Coldtub comes with a GFCI cord and male plug.
- Requires plumbing to and from the chiller and water tank. This should be engineered to promote natural water flow and eliminate air locks.
- Filters with Silver Sentinel drop in water filter.
- 1000Watt heater

Designed at the request of one of our long-term hot climate customers, the Icekube Kart is our most portable unit.

In response to the position statement of NATA to have an emergency cooling device on-field, COLDTUB™ now provides an immediate solution for all budgets.

The Icekube Kart is quickly becoming a popular on-field emergency cool-down device for many of the nation's biggest football programs.

Packs up and stores easily between seasons.

Water Capacity

200 Gal
757 L



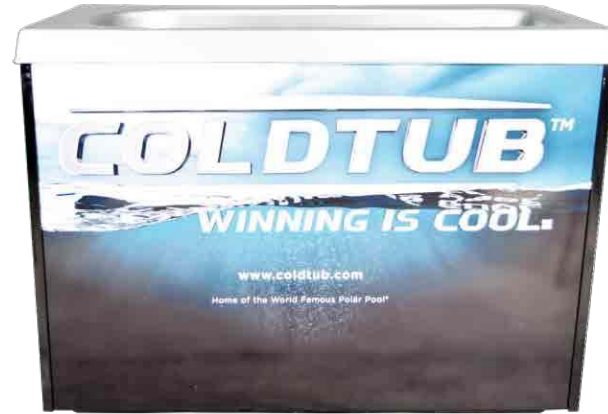
Icepod



The Icepod is designed for home. All of the basic features necessary to provide you with cold water therapy down to 42 (5.5 C) degrees.

Programmable filtration helps keep maintenance to a minimum.

Therapy jets included.



Water Capacity

50 Gal
190 L

Our most popular single person unit.

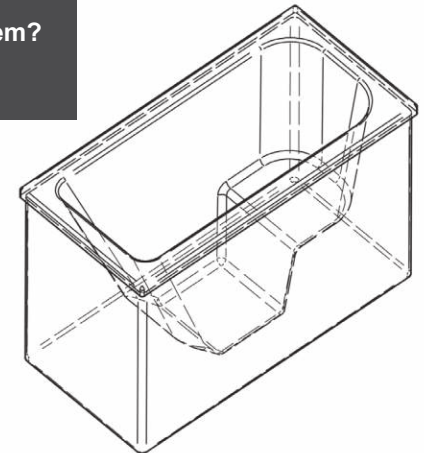
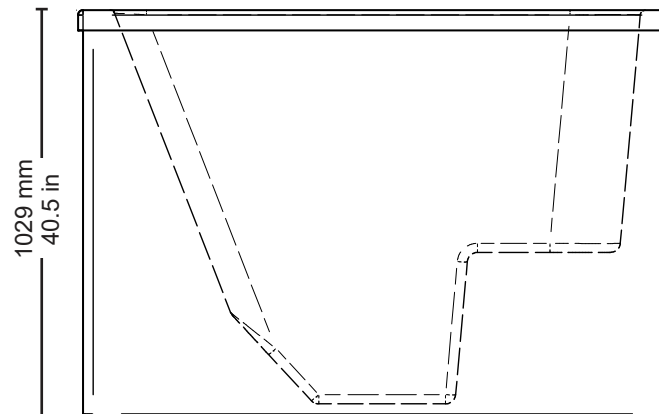
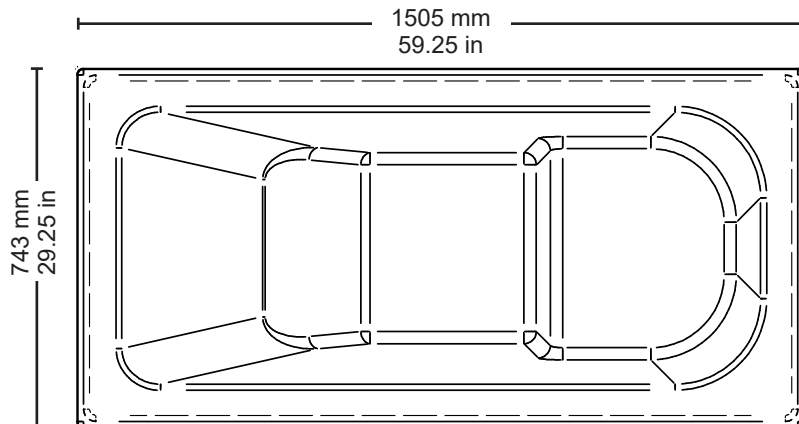
SPECIFICATIONS

- Electrical requirement is 110Volt dedicated 15amp circuit for each unit.
- The Icepods come with a GFCI cord and male plug.
- No plumbing is required. The COLDTUB™ can be filled and drained with a garden hose.
- Filters with 10sq' water filter that can be replaced while water is in the tub.
- Salt water sanitizer system maintains Chlorine levels
- Wifi extender installed to run the COLDTUB™ app.
- Capable of connecting tub to Mycoldtub.com and controlling the tub from internet. This depends on the internet availability on location.
- Preferred would be ethernet cable ran to the Coldtub. This feature will require you to disable ping blocks from the port the Coldtub is connected through.
- Underwater light.
- Therapy Jets.
- 1000Watt heater

OPTIONS

- Sound Wave Therapy - Can play music through Bluetooth but most important play "Sonic Massage" that can be downloaded from the Coldtub website and played through the water giving you the advantage.
- Taping table - Save space in your facility with with the Coldtub cover that locks into reclined positions to comfort the athlete while being treated. Only available on Icepod and Icepod Plus

Interested in a true hot – cold plunge system?
[Ask about the Icepod/Hotpod combo.](#)



Product Service

Icepod Plus



The Icepod Plus was designed for taller people. The Icepod Plus is still convenient for home use as it is just a little bit longer than the Icepod but the same width. Simply plug into a standard wall outlet. Temperature ranges from 42° – 104°F. Our NBA and WWE stars love the Icepod Plus.



Water Capacity

80 Gal
303 L

SPECIFICATIONS

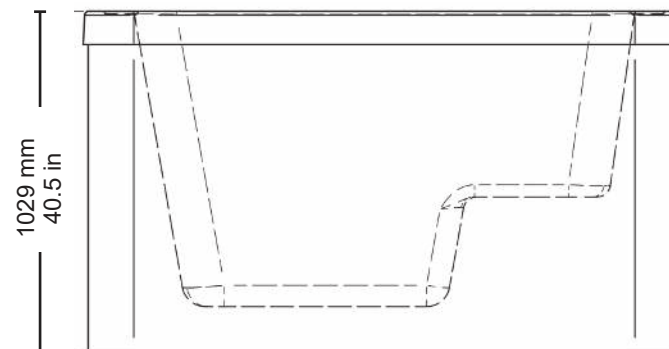
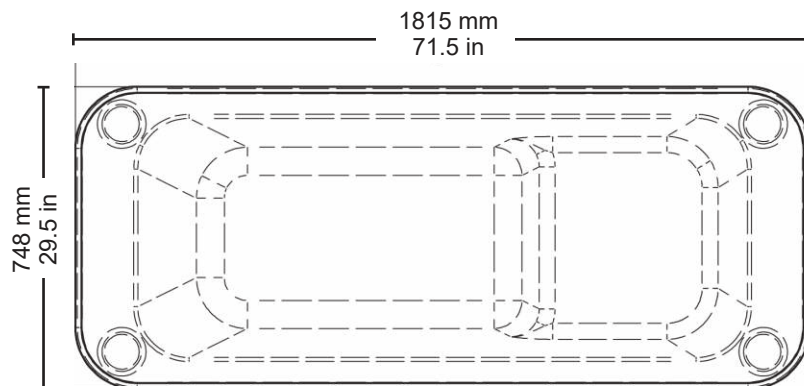
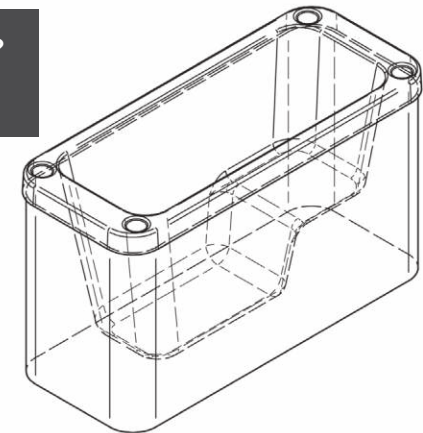
- Electrical requirement is 110Volt dedicated 15amp circuit for each unit.
- The Icepods Plus come with a 6' GFCI cord and male plug.
- No plumbing is required. The COLDTUB™ can be filled and drained with a garden hose.
- Filters with 10sq' water filter that can be replaced while water is in the tub.
- Salt water sanitizer system maintains Chlorine levels.
- Wifi extender installed to run the COLDTUB™ app.
- Capable of connecting tub to Mycoldtub.com and controlling the tub from internet. This depends on the internet availability on location.
- Preferred would be ethernet cable ran to the COLDTUB™. This feature will require you to disable ping blocks from the port the COLDTUB™ is connected through.
- Underwater light.
- Therapy Jets.
- 1000Watt heater

OPTIONS

- Sound Wave Therapy – Can play music through Bluetooth but most important play “Sonic Massage” that can be downloaded from the COLDTUB™ website and played through the water giving you the advantage.
- Taping table – Save space in your facility with with the COLDTUB™ cover that locks into reclined positions to comfort the athlete while being treated. Only available on Icepod and Icepod Plus

Interested in a true hot – cold plunge system?

[Ask about the Icepod/Hotpod combo.](#)



Product Service

coldtub.com

POLARPOOL®



The model that started it all. Still our most popular. Unique choice for adding a cold water immersion regime to almost any existing facility. Fits through almost any doorway so whatever your application the POLARPOOL® is right for you. Large enough to facilitate 3 users – one of the best per user values in the cold water business. Take this basic unit and add the options which are important to your facility and training program.



Water Capacity
172 Gal
652 L

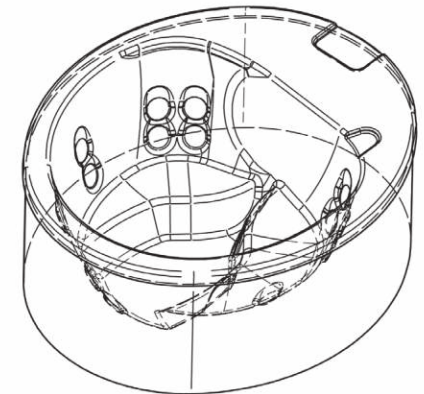
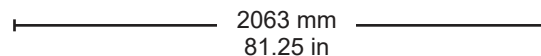
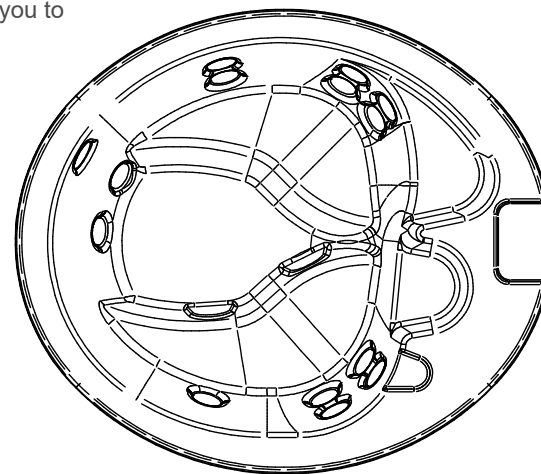
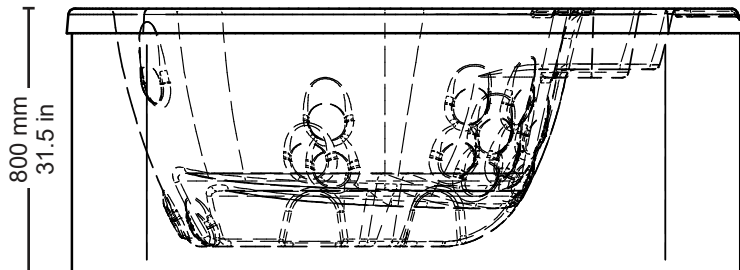
All the basics which you find in the POLARPOOL® and every feature that we can add to it. This unit comes complete with micropure filtration, Bioloc construction, for ease of maintenance. For energy efficiency, it includes our insulated hard cover.

SPECIFICATIONS

- Electrical requirement is 110Volt dedicated 15amp circuit for each unit.
- The Coldtub comes with a GFCI cord and male plug.
- No plumbing is required. The Coldtub is filled and drained with a garden hose.
- Filters with 10sq' water filter that can be replaced while water is in the tub.
- Salt water sanitizer system maintains Chlorine levels
- Wifi extender installed to run the Coldtub app
- Capable of connecting tub to Mycoldtub.com and controlling the tub from internet. This depends on the internet availability on location.
- Preferred would be ethernet cable ran to the Coldtub. This feature will require you to disable ping blocks from the port that the Coldtub is connected through.
- Underwater light.
- Therapy Jets.
- 1000Watt heater

OPTIONS

- Sound Wave Therapy - Can play music through Bluetooth but most important play "Sonic Massage" that can be downloaded from the Coldtub website and played through the water giving you the advantage.



Product Service

Icebox



Need the ability to treat more people? Up to 6 users at one time can take advantage of all of the benefits of cold water immersion. Designed to move through most doorways. You will not find a cold water therapy device anywhere which combines as much capacity with ease of installation. The Icebox IT has a variety of depths and even our Comfortseat.



Water Capacity

454 Gal
1720 L

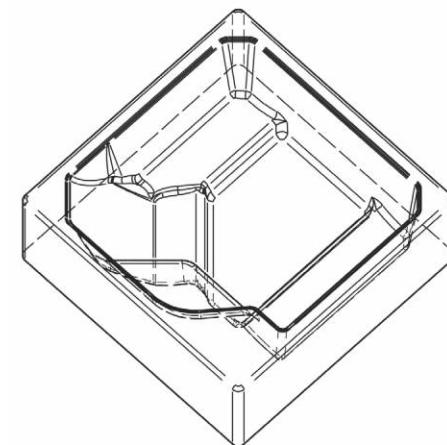
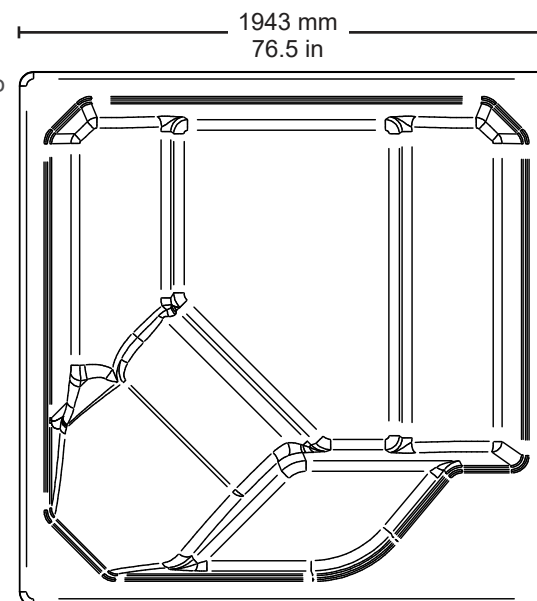
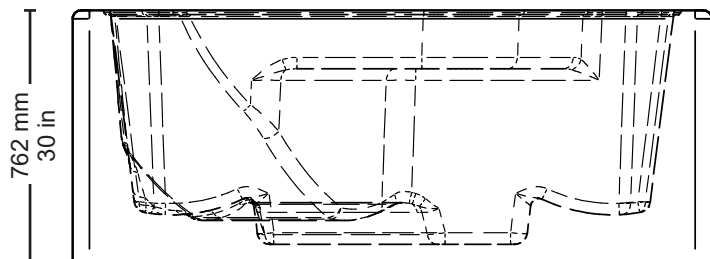
All the basics which you find in the Icebox and every feature that we can add to it. This unit comes complete with Micropure filtration, Bioloc construction, for ease of maintenance. For energy efficiency it includes our insulated hard cover, off peak energy consumption control, and built in energy consumption meter.

SPECIFICATIONS

- Electrical requirement is 110Volt dedicated 15amp circuit for each unit.
- The Coldtub comes with a GFCI cord and male plug.
- No plumbing is required. The Coldtub is filled and drained with a garden hose.
- Filters with 10sq' water filter that can be replaced while water is in the tub.
- Salt water sanitizer system maintains Chlorine levels
- Wifi extender installed to run the Coldtub app
- Capable of connecting tub to Mycoldtub.com and controlling the tub from internet. This depends on the internet availability on location.
- Preferred would be ethernet cable ran to the Coldtub. This feature will require you to disable ping blocks from the port that the Coldtub is connected through.
- Underwater light.
- Therapy Jets.
- 1000Watt heater

OPTIONS

- Sound Wave Therapy - Can play music through Bluetooth but most important play "Sonic Massage" that can be downloaded from the Coldtub website and played through the water giving you the advantage.



Product Service

coldtub.com

Polarplunge™



Water Capacity

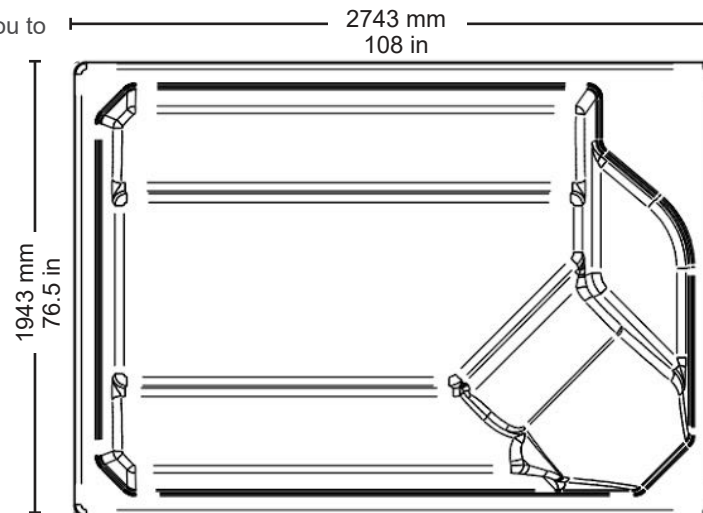
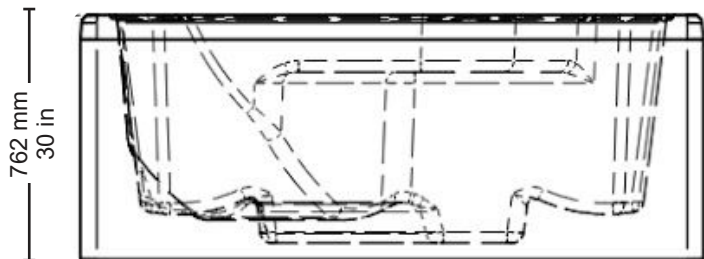
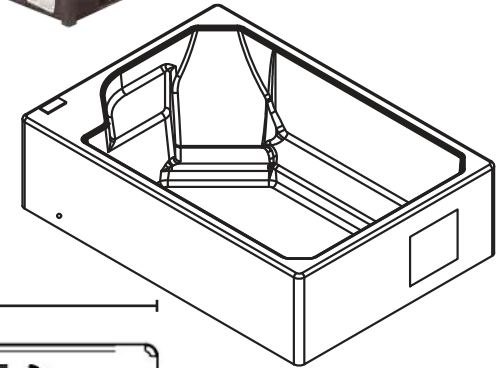
500 Gal
1892 L

SPECIFICATIONS

- Electrical requirement is 110Volt dedicated 15amp circuit for each unit.
- The Coldtub comes with a GFCI cord and male plug.
- No plumbing is required. The Coldtub is filled and drained with a garden hose.
- Filters with 10sq' water filter that can be replaced while water is in the tub.
- Salt water sanitizer system maintains Chlorine levels
- Wifi extender installed to run the Coldtub app
- Capable of connecting tub to Mycoldtub.com and controlling the tub from internet. This depends on the internet availability on location.
- Preferred would be ethernet cable ran to the Coldtub. This feature will require you to disable ping blocks from the port that the Coldtub is connected through.
- Underwater light.
- Therapy Jets.
- 1000W heater

OPTIONS

- Sound Wave Therapy - Can play music through Bluetooth but most important play "Sonic Massage" that can be downloaded from the Coldtub website and played through the water giving you the advantage.



Product Service

Iceberg

Re-designed and improved, the all new Iceberg works for the whole team at once or for movement related therapy for one. The same great ease of installation and cold water range of our smaller units – but with many more possibilities.

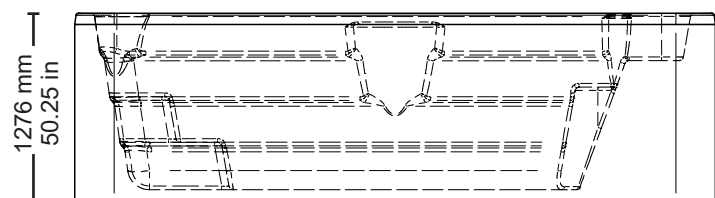
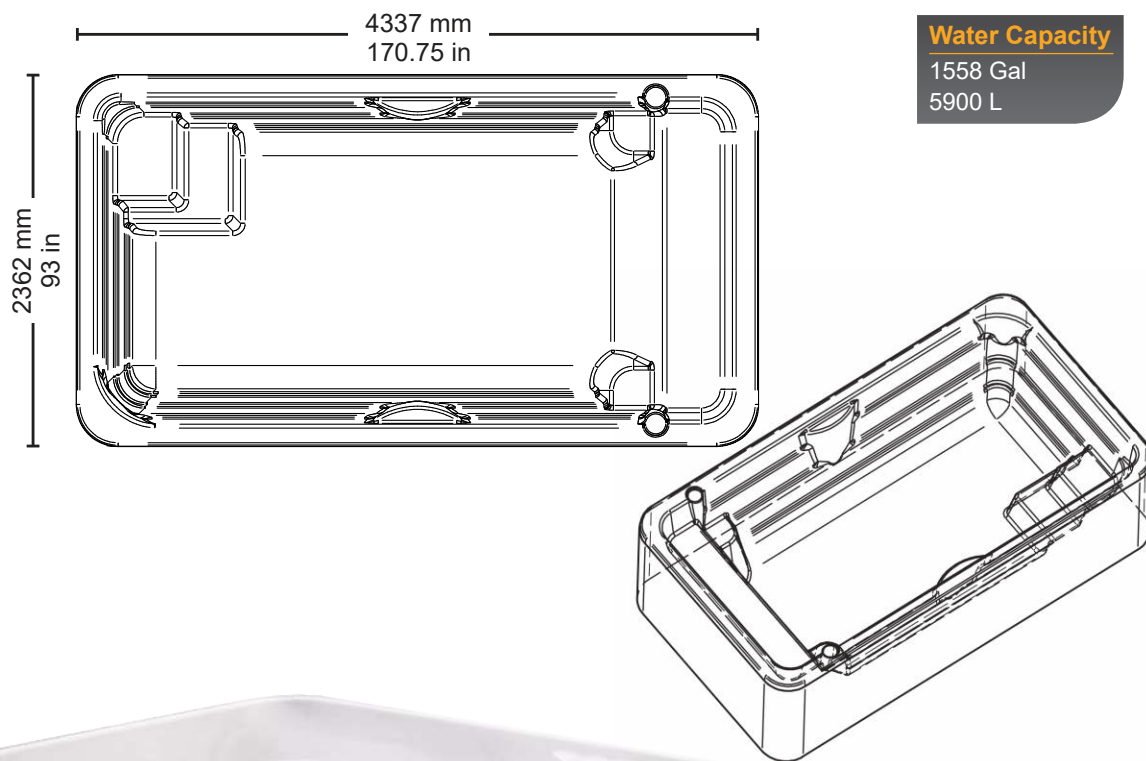
FOR SERIOUS TRAINING AND REHAB FACILITIES CONSIDER OUR WARM WATER VERSION.

At COLDTUB™ we realize that it is essential to allow the user to correctly simulate land-based walking, running or sport-specific activities without the bodyweight and joint impact one experiences on land. We also know that the therapy requirements of each user are different. Exercises such as walking, cycling, sprinting, shuffling, back-pedaling, and hill climbing are all possible with our optional Range of Motion Flex System.

When exercising in a physical therapy pool, hydrostatic pressure, water temperature, and resistance combine to enhance cardiovascular stamina, muscle strength, and flexibility and drive early range of motion gains during post injury recovery.

Get back in the game quicker!

Begin the process of recovery earlier.



ALSO AVAILABLE
AS A SURFACE
MOUNT UNIT.



Business Development Team

At COLDTUB™ we understand that every customer is different. We pride ourselves on our ability to help you find a way to make your project a reality. If you need help with technical information or data for your designer or if you need help putting together a proposal for the board of directors, we have helped hundreds of organizations move to the next step.



Technical Advice

We can provide you with all of the technical drawings, dimensional information and installation information that you might require for your project.

(Check out www.coldtub.com/designers-corner/)



Project Development

Let us do the hard part! Our team has been working with all types of organizations, since the beginning, to create proposals for funding. Whether you need to take your idea to the club President, the Dean, the booster club, your boss, or present it in front of a group of people, we can help make this easier by providing you a ready- to – use presentation. Talk to your rep about this program.



Financing

Speak with your sales rep about financing.

COLDTUBTM

WINNING IS COOL

Learn more at COLDTUB.com

1-888-295-7672